

RainSelect

Thermostat for concealed installation for 2 functions

Surfaces: **Matt Black** Article Number: **15380670**



Description

product features

- depending on volume flow and installation situation approx. 50% flow rate reduction and integrated shut off function
- 2 functions
- Select push-button on/off control for 2 outlets
- simultaneous use of several outlets
- maximum flow rate at 3 bar: 19,6 l/min
- thermostat cartridge, Start/stop valve to operate the functions
- safety lock at 40 °C
- temperature limitation adjustable
- non-return valve
- connection type: basic set
- min. operating pressure: 1 bar
- max. operating pressure: 10 bar
- Thermostat is delivered with buttons handshower and PowderRain

Technology



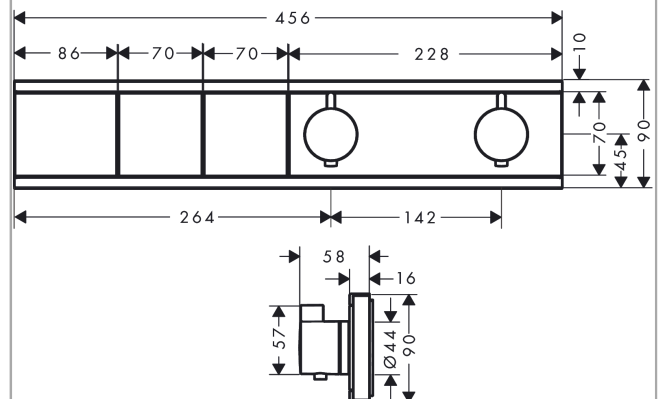
Design awards



Product image



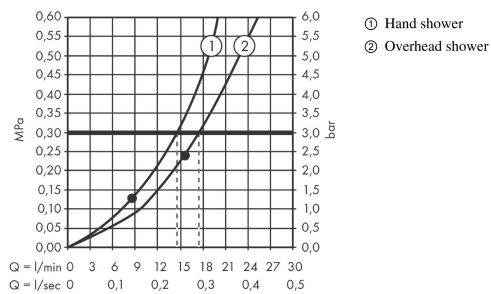
Scale drawing



RainSelect
Thermostat for concealed installation for 2 functions
 Surfaces: **Matt Black** Article Number: **15380670**



Flowchart

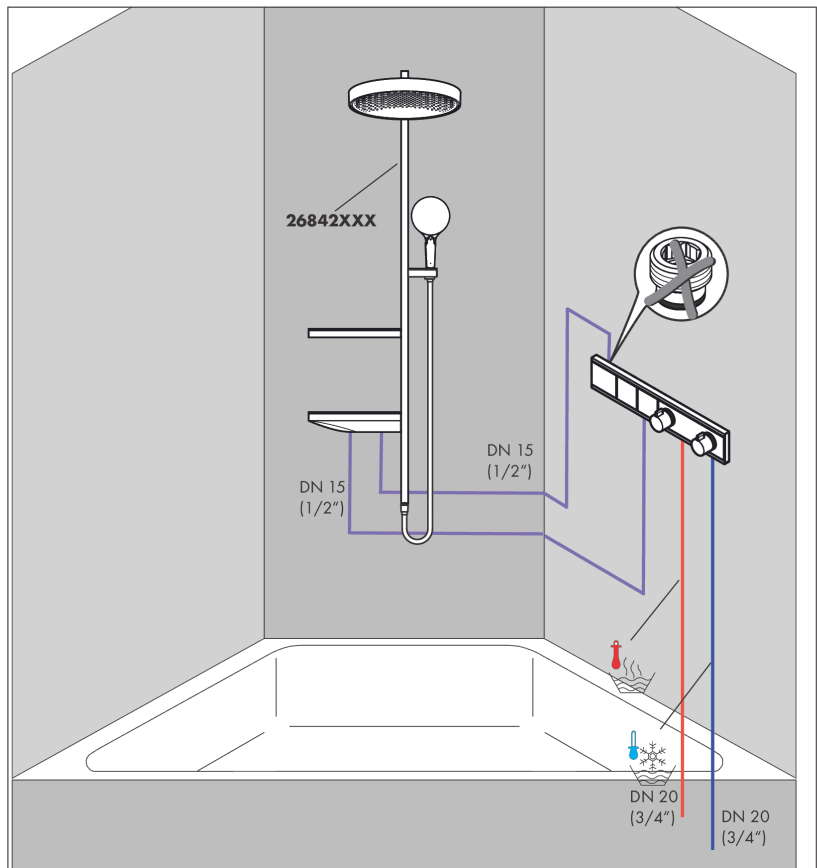
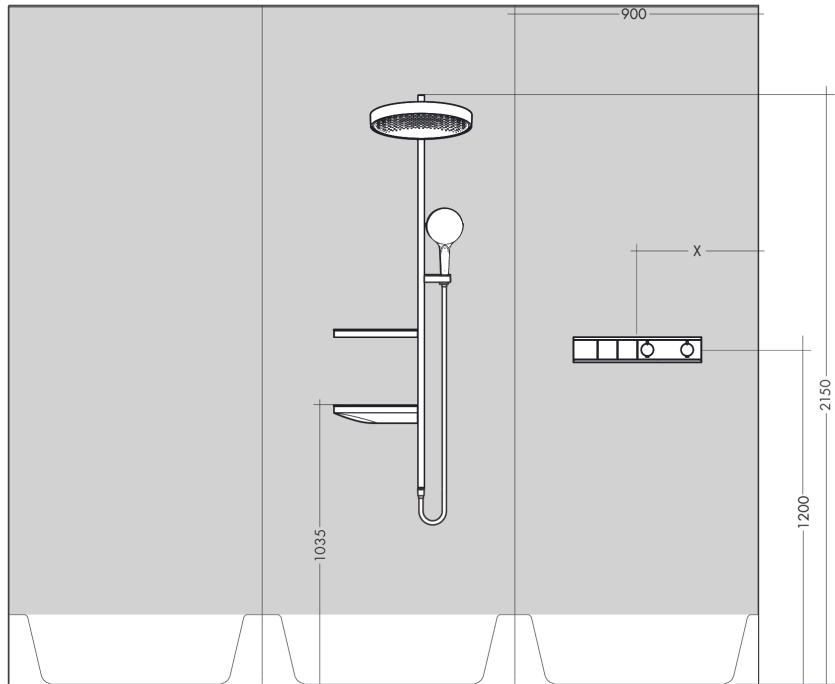


RainSelect
Thermostat for concealed installation for 2 functions
 Surfaces: **Matt Black** Article Number: **15380670**



Installation examples

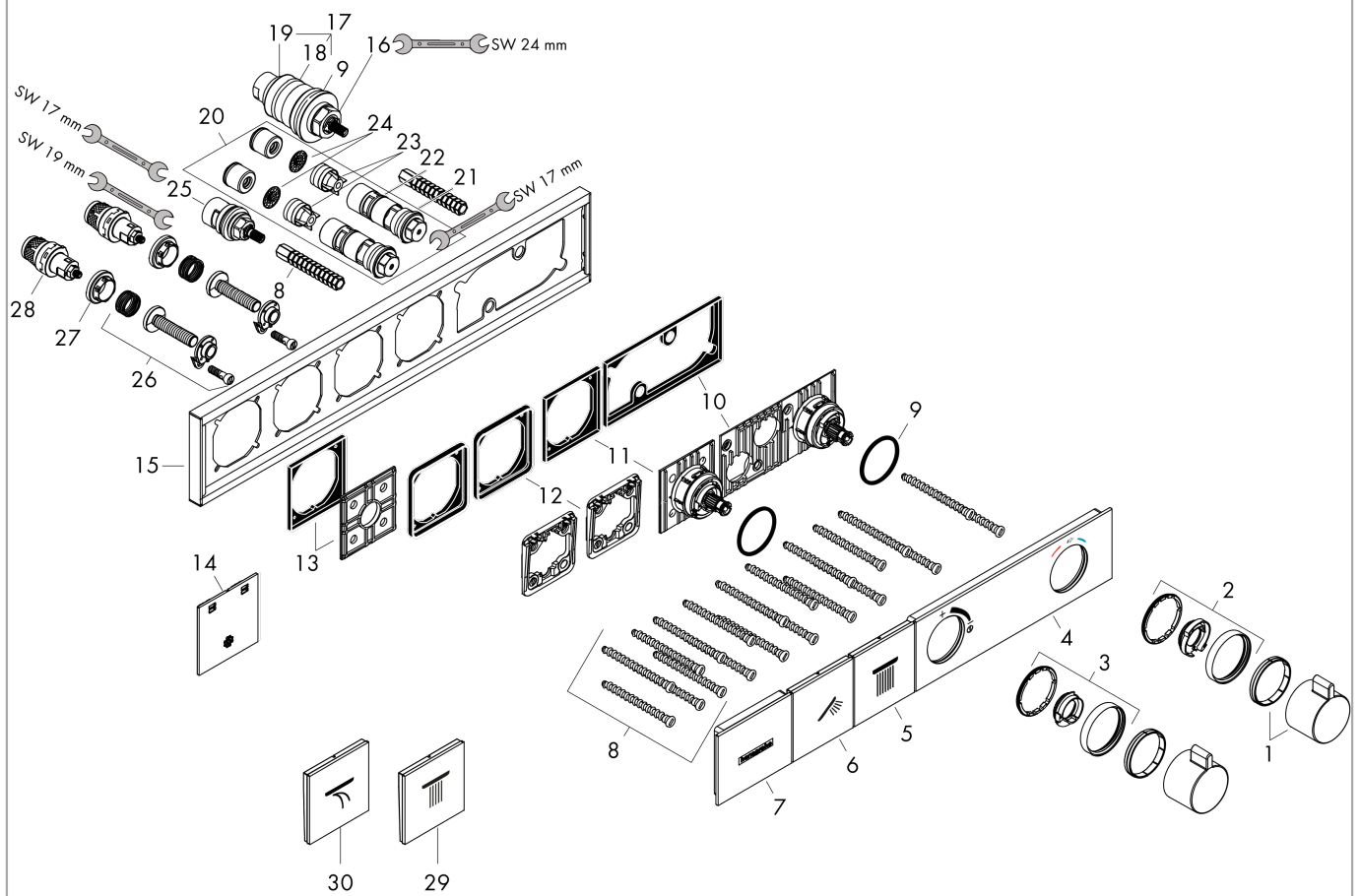
RainSelect
 1531018X / 15380XXX



RainSelect
Thermostat for concealed installation for 2 functions
 Surfaces: **Matt Black** Article Number: **15380670**

Exploded Drawing

Year of production: >04/20



RainSelect

Thermostat for concealed installation for 2 functions

Surfaces: **Matt Black** Article Number: **15380670**



Spare part list

Year of production: >04/20

Pos.	Description	Article Number	Price	PU
1	handle for thermostat	92215670	-	1
2	safety set	93112670	-	1
3	safety set	93113670	-	1
4	cover	93105610	-	1
5	symbol head shower	93499610	-	1
6	symbol handshower	93106610	-	1
7	cover	93501610	-	1
8	mounting kit	93102000	-	1
9	O-ring 38x2,5	98198000	-	1
10	adapter for handle	93109000	-	1
11	adapter for handle	93315000	-	1
12	support element	93111000	-	1
13	support element	93314000	-	1
14	fit-up aid	93417000	-	1
15	escutcheon	93104670	-	1
16	thermostat cartridge	96633000	-	1
17	sealing set	96636000	-	1
18	O-ring 34x2	98383000	-	1
19	O-ring 26x2	98147000	-	1
20	service unit	93406000	-	1
21	O-ring 20x2	98165000	-	1
22	O-ring 20x1,5	98197000	-	1
23	non return valve	96655000	-	1
24	filter	97367000	-	1
25	shut off unit	98536000	-	1
26	Select-adapter	93103000	-	1
27	nut	98368000	-	1
28	shut off unit	95758000	-	1
29	symbol head shower Rain large	93107610	-	1
30	symbol Flood jet	93305610	-	1
a	concealed item	15310180	-	1
b	Grease	90920000	-	1
c	extension 25 mm	93432000	-	1